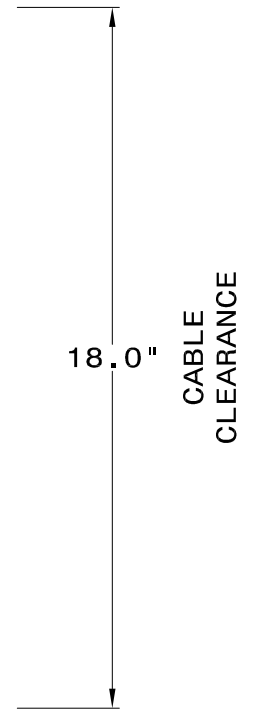
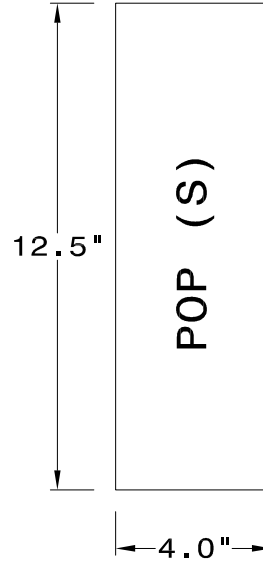
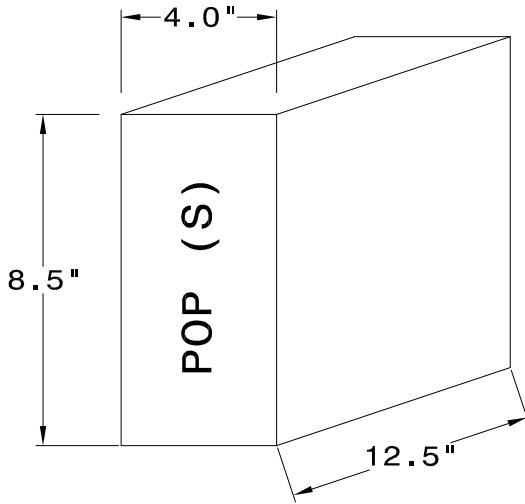


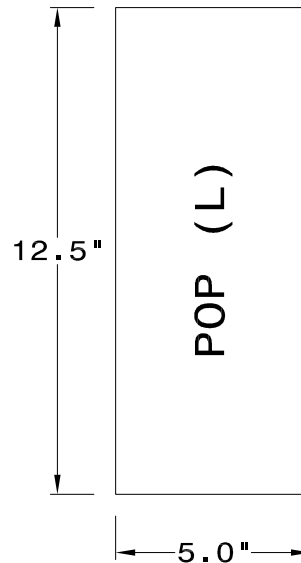
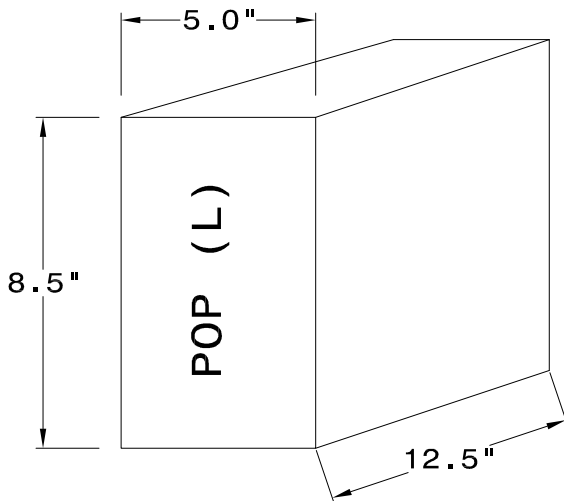
FRONT VIEW

TOP VIEW

SMALL POP



LARGE POP



ELECTRICAL REQUIREMENTS:

2X NEMA 5-15 OUTLET (ISOLATED GROUND)
115 VAC, PH1 15 AMP