

Beverage
Easybar[®]
Management Systems

**PORTION
CONTROLS
FOR BEER**

Control & accountability
for draught beer systems



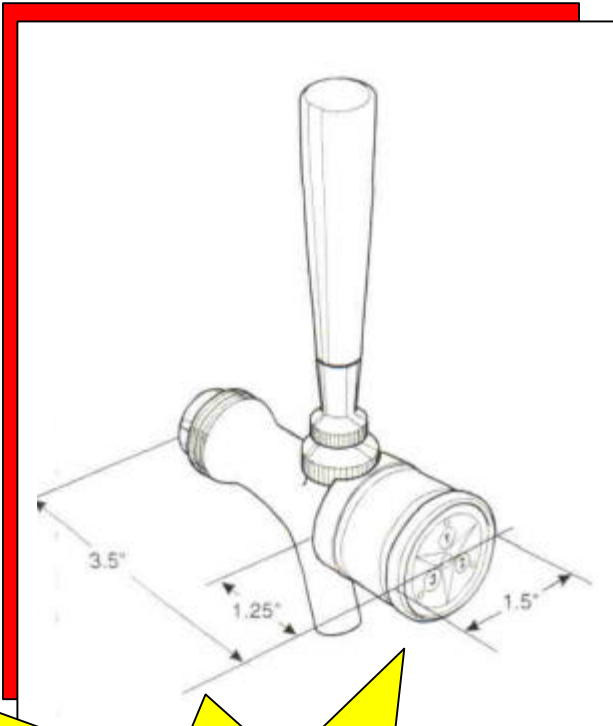
- **CONTROL!** Three programmable pour sizes ensure the perfect glass, pint or pitcher.
- **SPEED!** Bartender needs only to push a button and walk away while glass or pitcher is filling.
- **ACCOUNTABILITY!** System keeps track of every portion dispensed and can even ring up your compatible Point of Sale System.
- **FLEXIBILITY!** Controls can be added to existing draught beer or provided along with a complete beer dispensing system.

**Portion Controlled Beverage Dispensing for
Liquor · Beer · Wine · Soda · Juice**

19799 SW 95th Avenue Suite A • Tualatin, OR 97062 • 503-624-6744 • www.easybar.com

JAN 2006

EASYBAR BEER CONTROLS



PRESS A BUTTON
AND WALK AWAY...
EASYBAR BEER CONTROLS
HANDLE THE REST!

- Beer controls can be installed with a custom draught beer system or added to an existing beer dispensing system.
- Easybar electronics can control any number of brands.
- Each brand has three controlled pour sizes – or two pour sizes plus “top off.”
- Multiple beers can be poured at the same time.
- Each pour is counted and dispensing information can be organized into valuable usage reports.
- When used with Easybar CLCS II electronics, beer controls can ring up drinks on compatible Point of Sale systems.
- Beer controls can be combined with any other Easybar dispenser for complete control and accountability for all your beverages.

The **Easybar**® family of dispensing equipment includes...

Liquor & soda gun systems...



Cocktail server stations ...



Controlled backbar systems...



Beer & wine controls...



Any Easybar dispenser operates alone or in conjunction with any other Easybar equipment & can be interfaced to automatically ring up most major Point of Sale terminals as your drink is pouring!